

Thermoflex Kit – Outline Installation Procedure



The Thermoflex matting should be controlled by a thermostat recommended by Penguin Europe, and on a circuit protected by an earth fault RCD 30mA.

The installation must be carried out in accordance with electrical regulations and under the supervision of a qualified electrician.

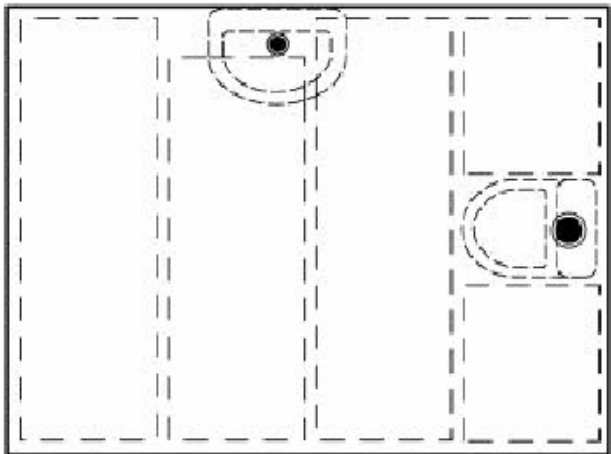
The cold connection cable and the matting may be cut, but the heating cable must not be cut.

Underlay

Make sure the floor is solid, without springiness and clear of any dirt or old flooring residue. Wooden or chipboard flooring with more than 30 cm between floor joists usually needs to be reinforced to prevent cracking and the tiles from releasing. This also applies without floor heating.

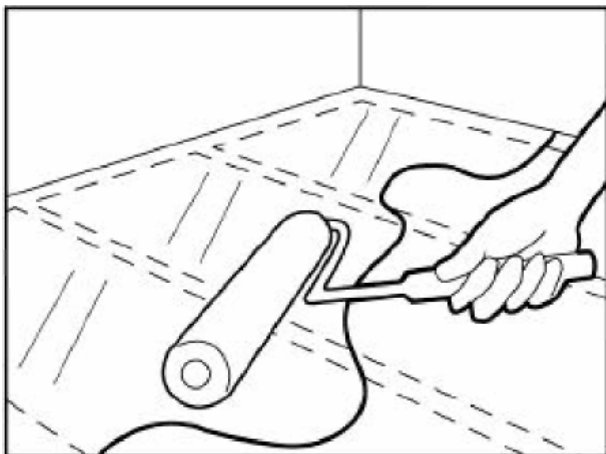
INSTALLATION

Draw on the floor how the matting should be laid.

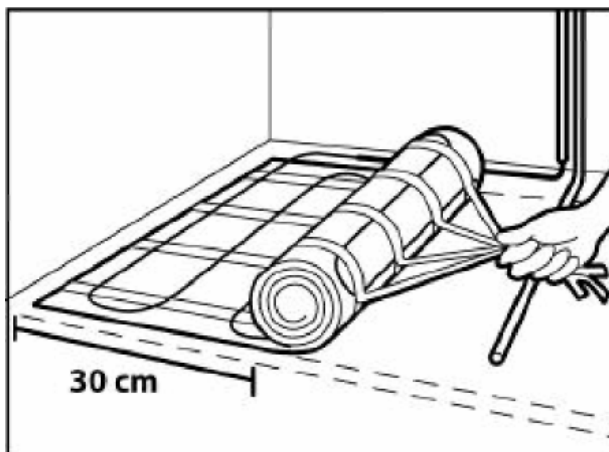


The thermostat sensor is normally laid on the floor between adjacent runs of the heating cable, where it will be buried in the tile adhesive. However, if you want the possibility of changing out the sensor, it can be placed in a conduit pipe (min 10 mm). In this case, mill a groove in the floor for the thermostat sensor pipe before laying the Thermoflex.

Priming the floor will improve the adhesion.

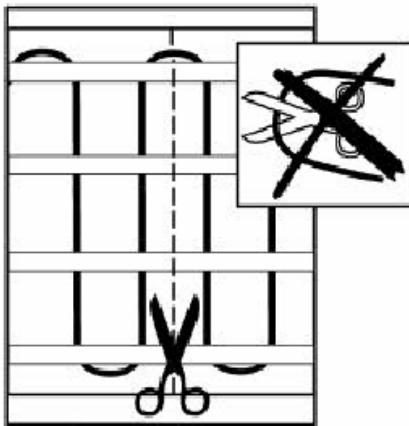
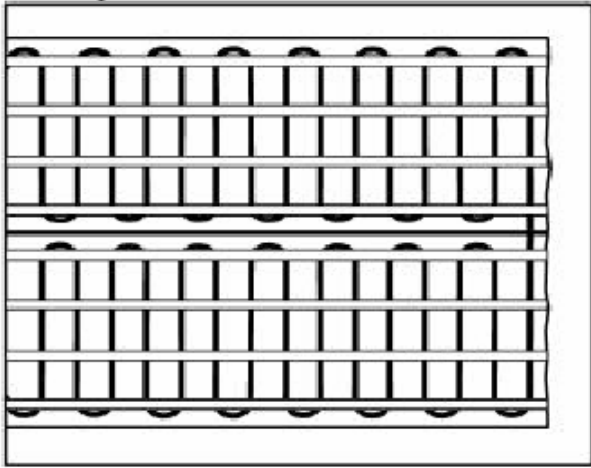


Start fixing the Thermoflex in one corner. The cable splice should be inset in the floor. The matting must not be laid under fixed furnishings, toilets and similar. Note the position of the screws for toilets or other fittings. Remove approx. 30 cm of the protective paper from the tape (all four pieces of tapes), align the matting and press down the first 30 cm of the matting.

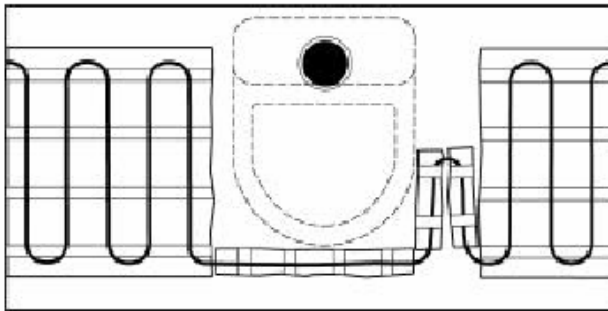


Hold the protective paper from all the tapes. Carefully pull the protective paper. The matting will then roll out and bond to the floor. Press the tape against the floor. Roll out the matting to the

opposite wall. Cut the mesh without damaging the cable. Loosen the protective paper and roll the matting back again.



Cut and release a piece of matting where the matting needs to go round toilets and the like.



The insulation and resistance of the matting should now be measured, and the values noted in the test protocol. The position of the matting should be documented on a sketch or photograph and be kept by the distribution box.

The floor is now ready for tiling. If preferred on a non-timber floor, a layer of self levelling compound can be applied before tiling. Use flexible adhesive and grout.

Connect the cold tail and the floor temperature sensor to the thermostat.

The heating is ready for operation once the floor has fully dried out.